



Range of Enclosures

KRONECTION® Box A 2 for up to 2 pairs

Short survey of the KRONECTION® Box A 2 for up to 2 pairs

The KRONECTION Box A 2, which is equipped with connection contacts on the right and left, serves as a line equipment termination point / floor distributor for connecting two pairs to the LSA-PLUS Series 8 connection module. (No disconnection function.) An overvoltage protection magazine holder, 2 contacts for integral earth wires and 1 earth terminal for solid copper conductors up to 2.5mm² are integrated into the connection element. The cable entries are self-sealing, with automatic strain relief and push-open inserts for earth conductors. Mounting: wall or pole mounting possible.

Technical specifications

Enclosure: Highly shock-resistant polypropylene, colour: black

Lid: Polyester, glass fibre reinforced, colour: grey

Maintenance free, weather resistant, suitable for tropical climates.

Protection according to IEC 529: IP 54

Suitable for mounting outdoors, on poles or walls.

Temperature range: -40°C to +80°C

Cable connection space with 1 LSA-PLUS connection element 8/2 for 2 pairs for cable and installation wires.

For cable with plastic-insulated copper conductors
 Conductor diameter: 0.40...0.60mm, AWG 26...22
 Outer diameter: 0.70mm...1.60mm
 Insulation resistance: $\geq 5 \times 10^4$ m Ω at 40°C and 93% relative humidity.

The magazine holder as well as 2 contacts for integral earth wires and 1 earth terminal for solid copper conductors up to 2.5mm² are integrated into the LSA-PLUS connection element.

Cable entry through self-sealing cable glands, automatic strain relief elements as well as push-open inserts for cables and earth conductors.

- 3 cables 7 to 8.5mm \varnothing (with strain relief)
- 1 cable to 5.0mm \varnothing (without strain relief)
- 1 earth conductor to 5.5mm \varnothing (without strain relief)

Overvoltage protection with 1 magazine 8/2 for 2 pairs.

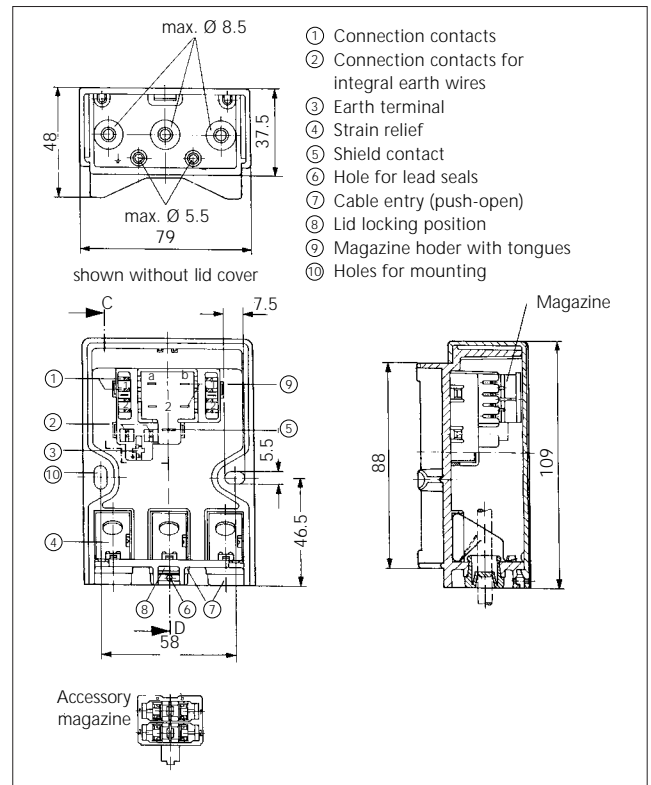


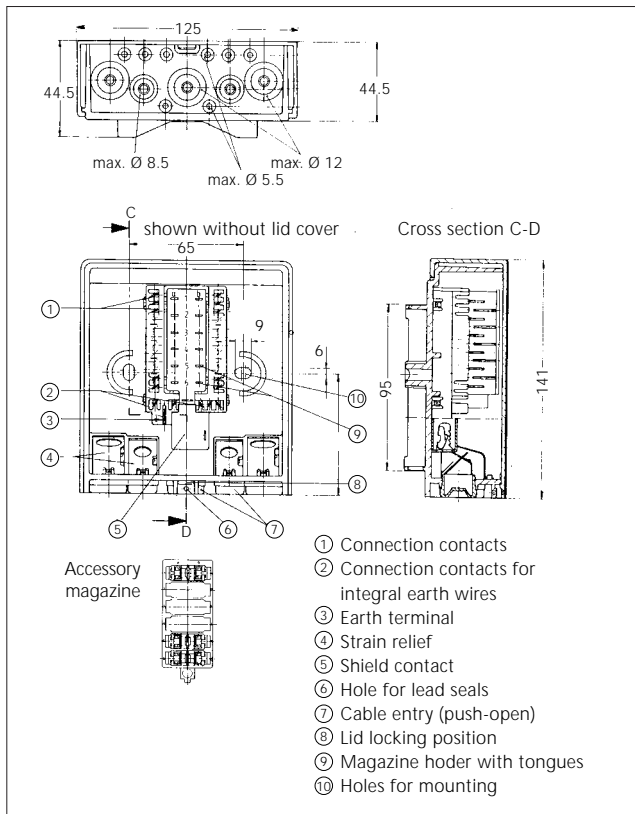
Fig. KRONECTION Box A 2 for up to 2 pairs



Range of Enclosures

KRONECTION® Box A 6 for up to 6 pairs

Short survey of the KRONECTION® Box A 6 for up to 6 pairs



The KRONECTION Box A 6 is equipped with connection contacts on the right and left, serves as a line equipment termination point / floor distributor for connecting six pairs to the LSA-PLUS Series 8 connection module. (No disconnection function.) An overvoltage protection magazine holder, 5 contacts for integral earth wires and 1 earth terminal for solid copper conductors up to 2.5mm² are integrated into the connection element.

The cable entries are self-sealing, with automatic strain relief and push-open inserts for earth conductors. Mounting: wall or pole mounting for overhead cables possible.

Technical specifications

Enclosure: Highly shock-resistant polypropylene, colour: black

Lid: Polyester, glass fibre reinforced, colour: grey

Maintenance free, weather resistant, suitable for tropical climates.

Protection according to IEC 529: IP 54

Suitable for mounting outdoors, on poles or walls.

Temperature range: -40°C to +80°C

Cable connection space with 1 LSA-PLUS connection element 8/6 for 6 pairs for cable and installation wires.

For cable with plastic-insulated copper conductors

Conductor diameter: 0.40...0.60mm, AWG 26...22

Outer diameter: 0.70mm...1.60mm

Insulation resistance: $\geq 5 \times 10^4 \text{ m}\Omega$ at 40°C and 93% relative humidity.

The magazine holder as well as 5 contacts for integral earth wires and 1 earth terminal for solid copper conductors up to 2.5mm² are integrated into the LSA-PLUS connection element.

Cable entry through self-sealing cable glands, shield contacts, automatic strain relief elements as well as push-open inserts for cables and earth conductors.

- 1 cable 7 to 12.5mm Ø (with shield contact)
- 2 cables 7 to 12.5mm Ø (with strain relief)
- 2 cables 7 to 8.5mm Ø (with strain relief)
- 7 cables to 5.8mm Ø (without strain relief)
- 1 earth conductor to 5.5mm Ø (without strain relief)

Overvoltage protection with 1 magazine 8/6 for 6 pairs.



Range of Enclosures

KRONECTION® Box A 10 for up to 10 pairs

Short survey of the KRONECTION® Box A 10 for up to 10 pairs

The KRONECTION Box A 10 is equipped with connection contacts on the right and left, serves as a line equipment termination point / floor distributor for connecting 10 pairs to the LSA-PLUS Series 8 connection module. (No disconnection function.) An overvoltage protection magazine holder, 5 contacts for integral earth wires and 1 earth terminal for massive copper conductors up to 2.5mm² are integrated into the connection element.

The cable entries are self-sealing, with automatic strain relief and push-open inserts for earth conductors. Mounting: wall or pole mounting possible.

The self-sealing lid can be pushed closed. Earth connection is possible using the mounting plate for the module. Fixing materials are not included and must be ordered separately.

Technical specifications

Enclosure: Highly shock-resistant polypropylene, colour: black

Lid: Polyester, glass fibre reinforced, colour: grey

Maintenance free, weather resistant, suitable for tropical climates.

Protection according to IEC 529: IP 54

Suitable for mounting outdoors, on poles or walls.

Temperature range: -40°C to +80°C

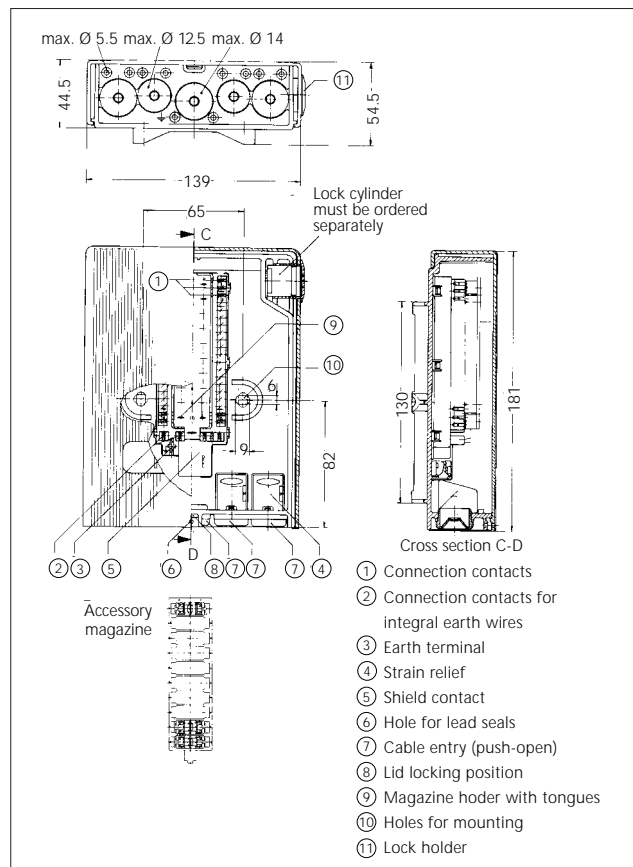
Cable connection space with 1 LSA-PLUS connection element 8/10 for 10 pairs for cable and installation wires.

For cables with plastic-insulated copper conductors

Conductor diameter: 0.40...0.60mm, AWG 26...22

Outer diameter: 0.70mm...1.60mm

Insulation resistance: $\geq 5 \times 10^4$ m Ω at 40°C and 93% relative humidity.



The magazine holder as well as 5 contacts for integral earth wires and 1 earth terminal for solid copper conductors up to 2.5mm² are integrated into the LSA-PLUS connection element.

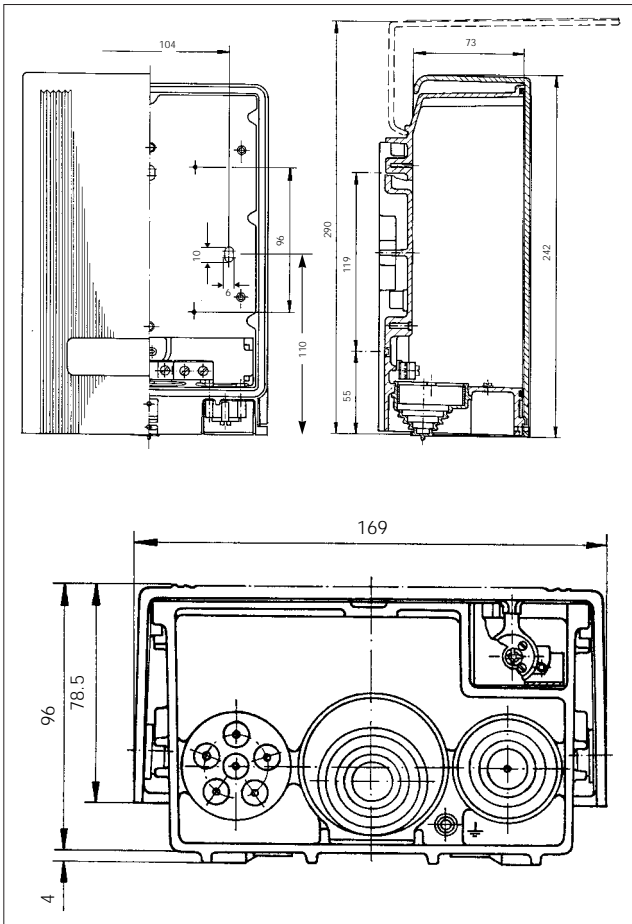
Cable entry through self-sealing cable glands, shield contacts, automatic strain relief elements as well as push-open inserts for cables and earth conductors.

- 1 cable 7 to 14.0mm Ø (with shield contact)
- 2 cables 7 to 14.0mm Ø (with strain relief)
- 2 cables 7 to 12.5mm Ø (with strain relief)
- 9 cables to 5.0mm Ø (without strain relief)
- 1 earth conductor to 5.5mm Ø (without strain relief)

Overvoltage protection with 1 magazine 8/10 for 10 pairs.



Short survey of the KRONECTION® Box A 30 for a max. of 30 pairs



Depending on the version, the KRONECTION Box A 30 is designed for installing 30 pairs with the LSA-PLUS Series 2/10 (connection, disconnection or switching modules, with or without overvoltage protection). The cable can be sealed at the cable entry.

The box can be either mounted directly on the wall or on poles using pole-fixing materials. The lid is fitted with a special hinge which holds it open during mounting so that this also acts as a rain protection cover.

The interior is fitted with fixing points for all standard distribution modules and permits the use of overvoltage protection magazines as well as ComProtect 1-pair protection from both series A and B.

Technical specifications

■ General technical data

Climate range: Outdoors in European and tropical climates

Protection IP 55: According to IEC 529 (dust and splash-proof)

Can be sealed with a lead seal or locked using an additional lock.

Protective insulation according to VDE 0804, protection class I.

■ Materials

Housing: Glass fibre reinforced plastic

Cable guide: Synthetic rubber

Lock cover: Stainless steel

Earthing for cable sheathing: nickel-plated brass and stainless steel



Range of Enclosures

KRONECTION® Box A 200

Short survey of the KRONECTION® Box A 200 for a max. of 200 pairs

The KRONECTION Box A 200 is designed to accommodate LSA-PLUS connection and disconnection modules up to 200 pairs. It is also designed for use as a line equipment termination point/floor distributor and as a connection and branching box. Magazines and ComProtect 1-pair from the A - H series can be installed as overvoltage protection. This box can be used on walls, it can be flush-mounted (using a flush mounting frame) or mounted on poles using pole fixing materials. The detachable clip-on door is held by a band hence preventing loss. Additional earthing is also possible.

Standard distribution modules can also be fitted when a version with mounting plate is selected. The standard version is equipped with an earth bar for shielding laminated sheath cables and external earth wires. A lock can be additionally fitted.

Technical specifications

■ General technical data

Protection class: IP 54 according to IEC 529 (dust and splash-proof)

Climate range: -30°C to +80°C
Housing temperature suitable for tropical climates

■ Mechanical specifications

Outer dimension of the housing: Refer to dimension drawing

Plastic mounting plate: 548 x 190 x 10mm

■ Materials

Housing material: Unsaturated, glass fibre reinforced polyester resin, resistant to mildew and termite attack

Housing colour: grey, similar to RAL 7032

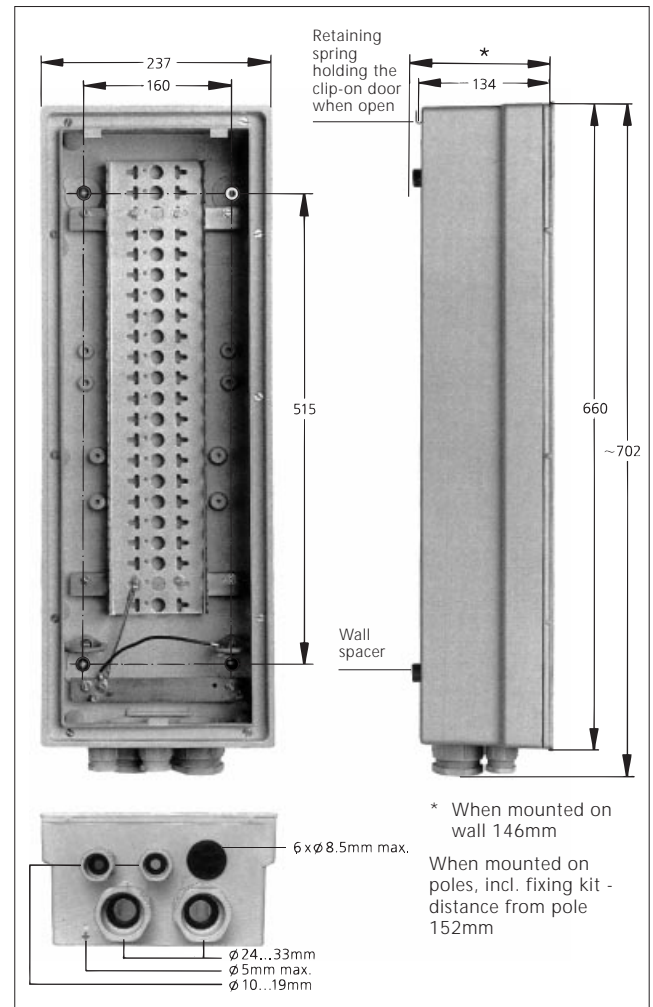
Flammability: According to UL94 V-0

Mounting plate: PVC integral skin foam
Colour: white

External metal parts and back-mount frame: Stainless steel X5CrNi1810

Internal metal parts: Stainless steel X5CrNi1810 and non-ferrous metals

Maintenance: Maintenance-free

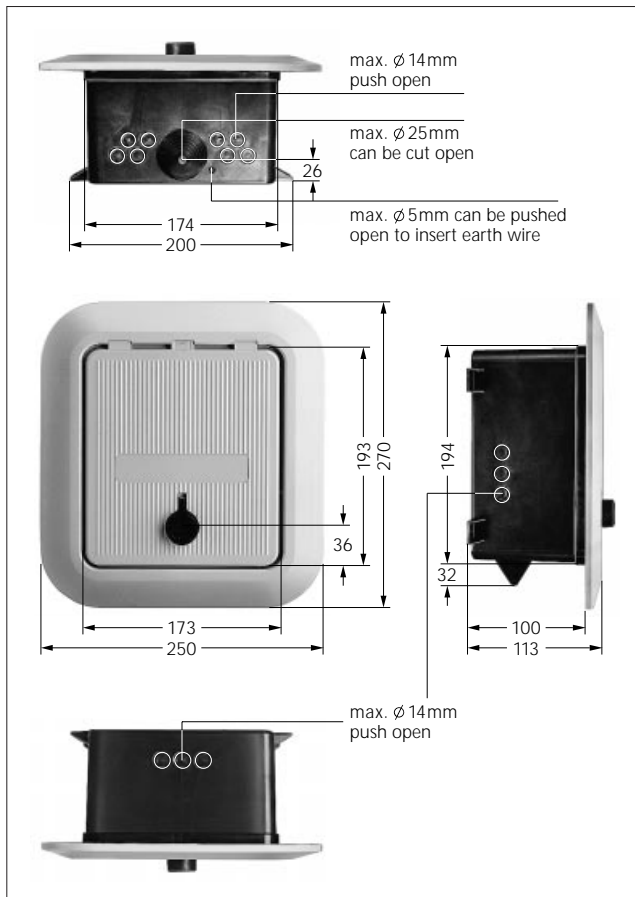




Range of Enclosures

KRONECTION® Box A 50 U

Short survey of the KRONECTION® Box A 50 U for a max. of 50 pairs



The KRONECTION Box A 50U is designed as a flush-mounted distributor with an integrated flush mounting frame and seal for walls, in particular for external walls of buildings. Together with the LSA-PLUS Series 2 (max. of 50 pairs) this box serves as a line equipment termination point/floor distributor and as a connection and branching box. The standard version is fitted with an earth bar for earthing laminated sheath cables and external earth wires. The detachable clip-on door permits easy mounting. A lock can be additionally fitted.

Technical specifications

General technical data

Ambient temperature:	-30°C to +60°C
Protection class:	IP 54 according to IEC 529
Dimensions:	Refer to dimension drawing
Cable entries:	Refer to dimension drawing
Plaster compensation with the flush mounting frame:	Up to 20mm
Materials	
Housing material:	Reinforced polypropylene (PP), colour: black
Flammability:	HB according to UL94
Flush mounting frame, door:	ASA, colour: grey, similar to RAL 7031
Metal parts:	Stainless steel X5CrNi1810 and non-ferrous metals
Adjustable cable entries:	Synthetic rubber (EPDM)

Connection capacity with KRONE LSA-PLUS modules, Series 2:

Up to 50 pairs

Weight: 1.1kg

Maintenance: Maintenance-free when handled correctly

Environmental compatibility: Free from halogen, housing plastics can be recycled



Range of Enclosures

KRONECTION® Box A 200 U

Short survey of the KRONECTION® Box A 200 U

The KRONECTION Box A 200 U is a flush-mounted distributor which was specifically designed for use on external walls of buildings.

Together with the LSA-PLUS Series 2 (max. of 200 pairs) and accessories, this box serves as a connection and branching box for plastic insulated telephone cables.

The outer surface can be painted with normal facade paint; this means that the box is suitable for use in applications where emphasis is placed on inconspicuous distributor solutions.

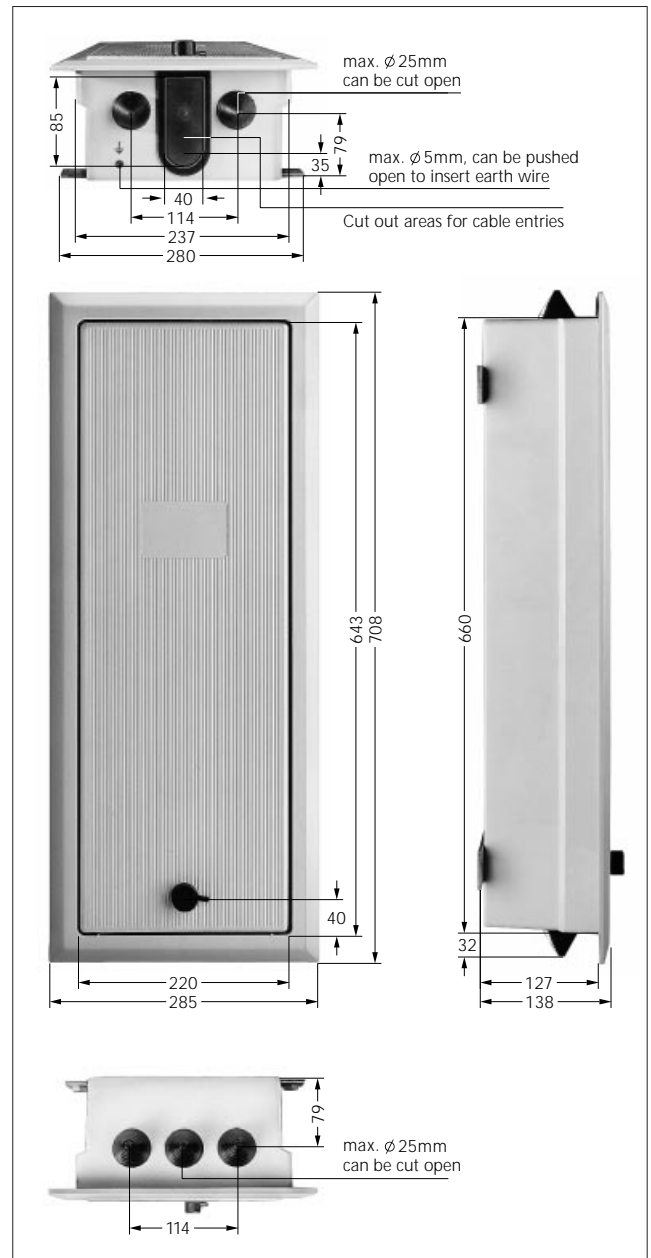
Technical specifications

General technical data

Ambient temperature:	-30°C to +80°C
Protection class:	IP 54 according to IEC 529
Dimensions:	Refer to dimension drawing
Cable entries:	Refer to dimension drawing
Plaster compensation with the flush mounting frame:	Up to 10mm

Materials

Housing, door, flush mounting frame:	Unsaturated, glass fibre reinforced polyester resin colour: grey, similar to RAL 7032
Flammability:	VO according to UL94
Metal parts:	Stainless steel X5CrNi1810 and non-ferrous metals
Adjustable cable entries:	Synthetic rubber (EPDM)
Connection capacity with KRONE LSA-PLUS modules, series 2:	Up to 200 pairs
Maintenance:	Maintenance-free when handled correctly
Environmental compatibility:	Free from halogen, housing plastics can be recycled





Range of Enclosures

KRONECTION® Box DT-PLUS 2

Short survey of the KRONECTION® Box DT-PLUS 2

The KRONECTION Box DT-PLUS 2 is used as a line equipment termination point for two pairs, i.e. for transferring dropwire lines (overhead lines) to the telephone cables in the building. Two DT-PLUS modules can be used for solid dropwire lines. The cable entry is

self-sealing and the lid clips into position. Earthing of the modules is possible on the mounting plate. This box is purely designed for wall-mounting.

Fixing materials are included in delivery.

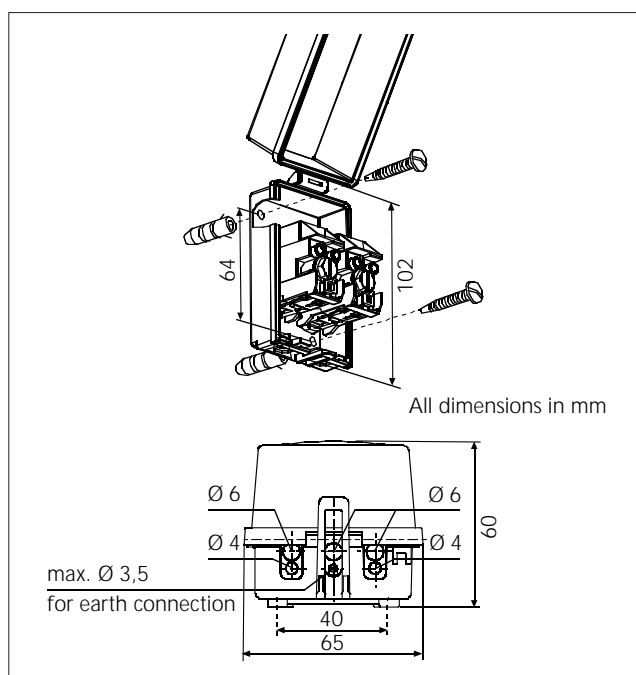


Fig. KRONECTION Box DT-PLUS 2

Technical specifications

■ Operating range

Ambient temperature: -40°C to +70°C
 Mounting / service: -25°C to +45°C
 Storage temperature: -40°C to +90°C

Biological resistance: Against termites and micro-organisms

■ Chemical resistance

According to IEC 68-2-60TTD, Meth. C: 21 days storage at 25°C, 75% relative humidity, 0.5 ppm SO₂, 0.1 ppm H₂S

According to IEC 68, part 2-52: Salt mist test with artificial sea water according to DIN 50905, part 4

■ Mechanical data

Housing:

Cable entry openings (refer to dimension drawing): Self-sealing:
 3 x max. Ø of 6mm
 2 x max. Ø of 6mm
 1 x Ø 6mm, (earth wire)

Connectable earth wire: Max. Ø of 2.5mm

Mechanical stress:

Vibration according to Belcore TR NTE-000975 / 4.6 / 5.16: 10 - 55Hz/5g/20 cycles per axis

UV resistance according to ASTM-G-53:

500 hrs. UV / 60°C
 500 hrs. alternating climate;
 4 hrs. UV/60°C and
 4 hrs. condensation /50°C

Subsequent traction test according to IEC 527:

Stiffness reduction between 2 - 5%

Protection class according to IEC 529

Housing: IP 44

Related to the connection

contacts of the modules: IP 54



Range of Enclosures

KRONECTION® Box DT-PLUS 2

Technical specifications: KRONECTION® Box DT-PLUS 2

■ DT-PLUS module

Connectable plastic-insulated cable wires with solid conductors.

	Copper conductor Ø (mm)	Steel conductor Ø (mm)	Insulation Ø (mm)
In the base (building telephone cable)	0.4...0.8 (AWG 26-20)	–	0.7...1.8
In the upper section (dropwires)	0.4...0.8 0.8...1.3 (AWG 20-16) –	– – 0.8...1.1	0.7...1.8 2.0...4.5 2.0...4.5

Reconnection capacity
of the contacts: 50 times
Axial traction force
of the wires: 70N
Torsion of connection
wires according to Belcore
TR-NTW-000975/3.2.3/5.2: 10 x ±90°

■ Electrical data

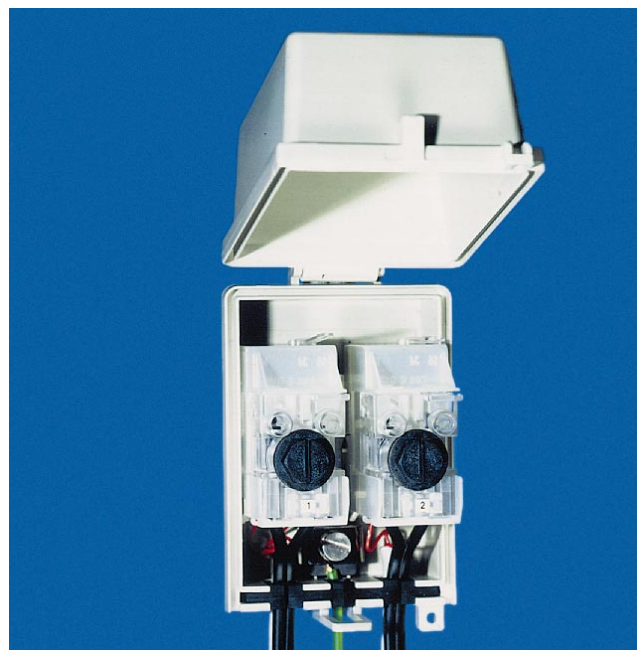
DT-PLUS module
Contact resistance
according to IEC 352-3,
part 4 and contact
reliability according
to IEC 512-2.2e: < 5mW

Insulation resistance
according to
IEC 512-2-3a: 50,000mW/500VDC/60s

Impulse voltage
resistance
according to IEC 60-2: 10 x 3.6kV (1.2/50µs)

Withstand voltage
resistance
according to IEC 60-2: 5000V DC/15s

Withstand voltage
resistance
according to Belcore
TR-NTW-000975 / 3.3.2: 3000V DC/60s



KRONECTION Box DT-PLUS 2

■ Materials

Housing: ASA, colour: light grey, similar to RAL 7032

Cable entry sealing ring: Synthetic rubber

Metal parts: Stainless steel

DP-PLUS module
Base: Polycarbonate, glass fibre reinforced

Intermediate, pressure piece: Polycarbonate

Pressure screw: Polyamide, glass fibre reinforced

Contacts: Special brass, silver-plated

Caution:

Do not clean the module with petrol or any other agents containing alcohol!

Plastics are not resistant to kerosene, ethanol, spirits or acetone.