



Plastic Distribution Box



Plastic distribution box for surface and flush-mounting applications

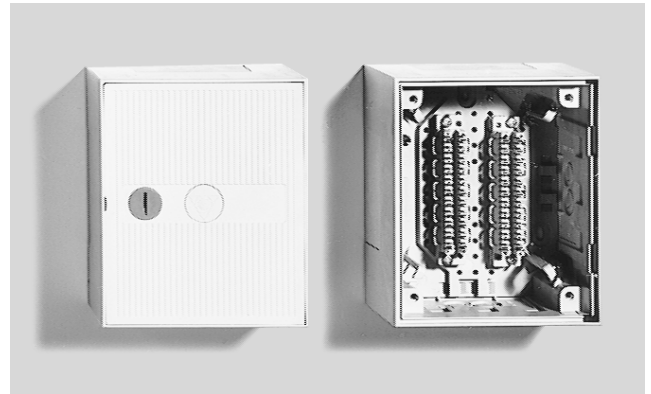
KRONECTION boxes are extraordinarily versatile and come in three compact sizes with variable depth, and are designed for surface and flush mounting. With just a few components, a high degree of flexibility is achieved at a low cost for material stocks.

The box is made of polystyrene, a self-extinguishing plastic, thus ensuring corrosion-free, highly impact-resistant, stable and maintenance-free use. All installation aids, such as cable entries, cable fixing eyes and wire guide rings, already form an integral part of the KRONECTION box.

- ❑ KRONECTION boxes with back-mount frames designed for installation of overvoltage protection elements (additional attachment frame required)
- ❑ Protection: IP 30 according to DIN 40050
The small distribution boxes are designed for indoor use.
- ❑ Painting: RAL 7035
(polystyrene-compatible painting possible).

Delivered as:

fully assembled box.

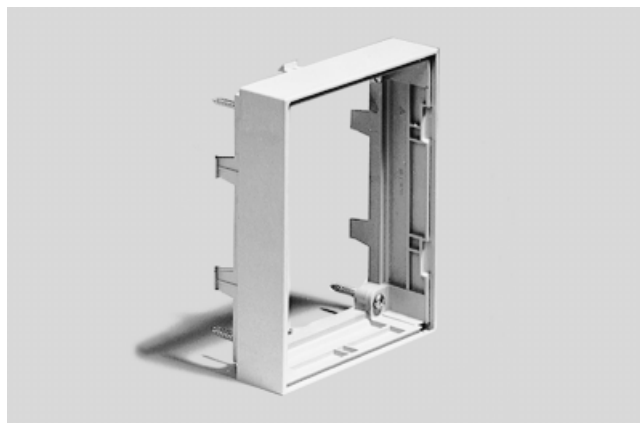


Order data:

Order No.	Description	Dimensions h x w x d in mm	Weight/ Pack	Pack
6436 1	xxx- xx KRONECTION-Box I			
	001- Empty enclosure	170 x 140 x 75	0.460kg	1 piece
	002- Fitted with 2 LSA-PLUS connection modules 1/10		0.520kg	1 piece
	011- Fitted with 1 LSA-PLUS- connection modules 1/10		0.460kg	1 piece
	013- Fitted with 1 back-mount frame for 3 LSA-PLUS modules 2/10		0.490kg	1 piece
6406 1	xxx- xx KRONECTION-Box II			
	001- Empty enclosure	215 x 215 x 75	0.650kg	1 piece
	002- Fitted with 2 LSA-PLUS connection modules 1/10		0.780kg	1 piece
	004- Fitted with 4 LSA-PLUS connection modules 1/10		0.900kg	1 piece
	015- Fitted with 1 back-mount frame for 5 LSA-PLUS modules 2/10		0.780kg	1 piece
6437 1	xxx- xx KRONECTION-Box III			
	001- Empty enclosure	320 x 215 x 75	0.912kg	1 piece
	002- Fitted with 2 LSA-PLUS connection modules 1/20		1.100kg	1 piece
	004- Fitted with 4 LSA-PLUS connection modules 1/20		1.300kg	1 piece
	020- Fitted with 1 back-mount frame for 10 LSA-PLUS modules 2/10		1.200kg	1 piece
	20 Door fitted with turnbuckle			
	21 Door fitted with cylinder lock			



KRONECTION box I, II, III (accessories)



Attachment frame



Flush-mounting frame

Order data:	Order No.	Description	Weight/Pack	Pack
	For KRONECTION box I			
	6436 2 004-20	Flush-mounting frame		1 piece
	6436 3 003-20	Flush-mounting plate for increasing the installation depth by 37mm for overvoltage protection applications		1 piece
	For KRONECTION box II			
	6406 2 004-20	Flush-mounting frame		1 piece
	6406 3 003-20	Flush-mounting plate for increasing the installation depth by 37mm for overvoltage protection applications		1 piece
	For KRONECTION box III			
	6437 2 004-20	Flush-mounting frame		1 piece
	6437 3 003-20	Flush-mounting plate for increasing the installation depth by 37mm for overvoltage protection applications		1 piece
Accessories:	Order No.	Description	Weight/Pack	Pack
	6406 3 035-02	Cylinder lock for replacing the turnbuckle		1 piece
	6406 2 013-00	Jumper pin as wire guide aid		6 pieces



Plastic Distribution Box



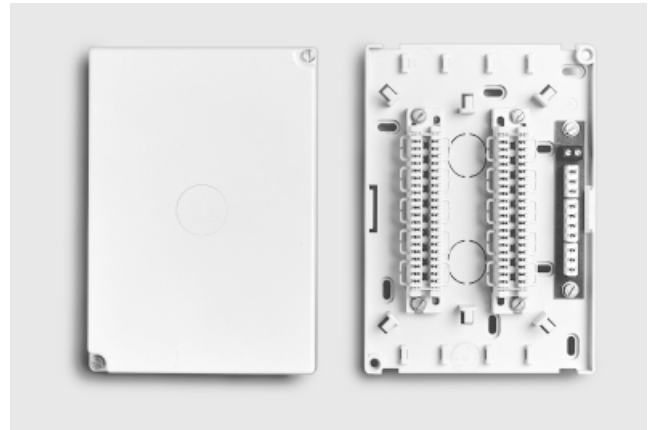
Small plastic distribution box for surface-mounted applications

These distribution boxes are used to connect and distribute cable wires in indoor applications. Small distribution boxes with pre-assembled switching equipment are available for 2 pairs, 10 pairs and 20 pairs with a large range of dimensions and assembly variants. LSA-PLUS contacts are used to terminate cable wires as well as integral earth wires. Several version enable the use of overvoltage protection elements.

- ❑ Enclosure: made of highly impact-resistant, thermo-plastic ABS plastic; flammability according to UL 94 V-O
- ❑ Protection: IP 20 according to DIN 40050
The small distribution boxes are designed for use in closed rooms.

Delivered as:

fully assembled box.



Miniverteiler 201 C

Order data:	Order No.	Description	Weight/Pack	Pack
		Capacity: 2 pairs		
	6562 1 001-00	Mini distributor 8/2 (VVD 83) LSA-PLUS connection module for 2 pairs High cover; overvoltage protection can be retrofitted Dimensions in mm (h x w x d): 80 x 65 x 35	0.050kg	1 piece
		Capacity: 10 pairs		
	6748 1 102-00	Mini distributor 2/10 (Telecom company interface) 1 LSA-PLUS disconnection module 2/10 With simple tool; shallow cover Dimensions in mm (h x w x d): 164 x 85 x 36	0.152kg	1 piece
	6591 1 001-00	Mini distributor 6/10 (VVD 85) LSA-PLUS connection module Shallow cover Dimensions in mm (h x w x d): 164 x 85 x 29	0.151kg	1 piece
	6591 1 004-00	Mini distributor 6/10 (VVD 85) LSA-PLUS connection module High cover; overvoltage protection can be retrofitted Dimensions in mm (h x w x d): 164 x 85 x 40	0.150kg	1 piece
	6429 1 024-00	Mini distributor 201 C 1 LSA-PLUS connection module 1/10 common contact strip Shallow cover Dimensions in mm (h x w x d): 170 x 120 x 35	0.210kg	1 piece
	6429 1 078-00	Mini distributor 201 D LSA-PLUS disconnection module 2/10 common contact strip High cover; overvoltage protection can be retrofitted Dimensions in mm (h x w x d): 170 x 120 x 73	0.214kg	1 piece



Order data:	Order No.	Description	Weight/Pack	Pack
Capacity: 10 pairs				
	6455 1 016-03	Mini distributor 2/20 1 LSA-PLUS disconnection module 2/10 common contact strip Shallow cover Dimensions in mm (h x w x d): 186 x 130 x 38	0.373kg	1 piece
Capacity: 20 pairs				
	6429 1 016-00	Mini distributor 201 C 2 LSA-PLUS connection modules 1/10 common contact strip Shallow cover; Dimensions in mm (h x w x d): 170 x 120 x 35	0.245kg	1 piece
	6429 1 076-00	Mini distributor 201 D 2 LSA-PLUS disconnection modules 2/10 Shallow cover; Dimensions in mm (h x w x d): 170 x 120 x 43	0.266kg	1 piece
	6429 1 074-01	Mini distributor 201 D 2 LSA-PLUS disconnection modules 2/10 High cover; overvoltage protection can be retrofitted Dimensions in mm (h x w x d): 170 x 120 x 73	0.320kg	1 piece
	6455 1 016-01	Mini distributor 2/20 2 LSA-PLUS disconnection modules 2/10 common contact strip Shallow cover; Dimensions in mm (h x w x d): 186 x 130 x 38	0.276kg	1 piece
	6455 1 042-00	Mini distributor 2/20 2 LSA-PLUS disconnection modules 2/10 common contact strip High cover; overvoltage protection can be retrofitted Dimensions in mm (h x w x d): 186 x 130 x 64	0.400kg	1 piece