



Overvoltage Protection Magazines

Magazine for MDF 71 (5 pairs)

Overvoltage protection magazine for 5 pairs, optionally available with 2-pole GDTs and fail-safe, for installation in main distribution frame type 71.



Order data:	Order No.	Description	Weight/Pack	Pack
		With fail-safe		
	5828 2 255-00	Magazine 71/5 AT unequipped, for installation of GDTs (8 x 6) and fail-safe	0.024kg	1 piece
	5828 2 255-01	Magazine 71/5 AT fitted with GDT 6717 3 343-00	0.040kg	1 piece
	5828 2 255-02	Magazine 71/5 AT fitted with GDT 6717 3 343-01	0.040kg	1 piece
	5828 2 255-04	Magazine 71/5 AT fitted with GDT 6717 3 344-00	0.040kg	1 piece
	5828 2 255-11	Magazine 71/5 AT fitted with GDT 6717 3 243-00	0.040kg	1 piece
	5828 2 255-12	Magazine 71/5 AT fitted with GDT 6717 3 244-00	0.040kg	1 piece
		Without fail-safe		
	5828 2 256-12	Magazine 71/5 A unequipped, for installation of GDTs (8 x 6)	0.020kg	1 piece
	5828 2 256-01	Magazine 71/5 A fitted with GDT 6717 3 343-00	0.032kg	1 piece
	5828 2 256-02	Magazine 71/5 A fitted with GDT 6717 3 343-01	0.032kg	1 piece
	5828 2 256-11	Magazine 71/5 A fitted with GDT 6717 3 243-00	0.032kg	1 piece



Magazine for MDF 71 (4 pairs)

Overvoltage protection magazine for 4 pairs, optionally available with 2-pole GDTs and fail-safe, for installation in main distribution frame type 71.

Order data:	Order No.	Description	Weight/Pack	Pack
With fail-safe				
	5829 2 255-00	Magazine 71/4 AT unequipped, for installation of GDTs (8 x 6) and fail-safe	0.019kg	1 piece
	5829 2 255-01	Magazine 71/4 AT fitted with GDT 6717 3 343-00	0.032kg	1 piece
	5829 2 255-02	Magazine 71/4 AT fitted with GDT 6717 3 343-01	0.032kg	1 piece
Without fail-safe				
	5829 2 256-00	Magazine 71/4 A unequipped, for installation of GDTs (8 x 6)	0.016kg	1 piece
	5829 2 256-01	Magazine 71/4 A fitted with GDT 6717 3 343-00	0.029kg	1 piece



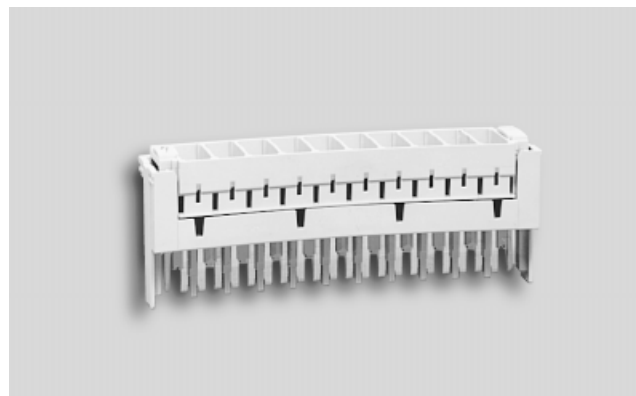
Overvoltage Protection Magazines

Magazine for LSA-PLUS®, Series 2

LSA-PLUS overvoltage protection magazine. When installed in LSA PROFIL modules, earth clips 6089 2 122-00 are required for the earth contact to the profile bar.

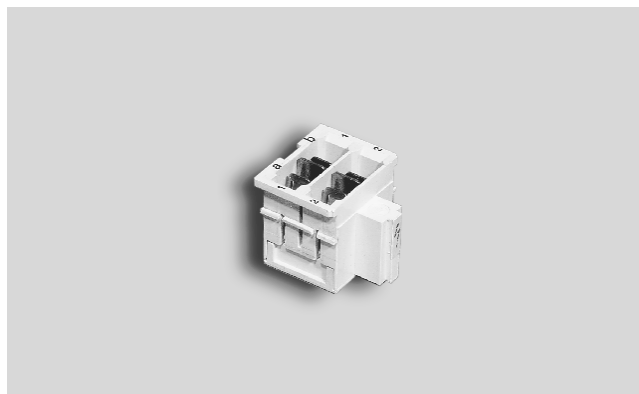
Other magazines filled with GDTs on request. In the case of unequipped magazines, optimum functionality can only be ensured in conjunction with the GDTs recommended in section „overvoltage protection accessories“.

Mounted height: approx. 25 mm from the LSA-PLUS module



Magazine 2/10 for 3-pole GDTs

Order data:	Order No.	Description	Weight/Pack	Pack
		For 3-pole GDTs 8 x 13		
	6036 2 003-01	Magazine 2/8 for 8-pair modules, unequipped	0.037kg	1 piece
	6089 2 023-01	Magazine 2/10 for 10-pair modules, unequipped	0.052kg	1 piece
	6036 2 003-04	Magazine 2/8 for 8-pair modules equipped with 6717 3 513-00	0.075kg	1 piece
		For 2-pole GDTs 8 x 6		
	6036 2 004-01	Magazine 2/8 for 8-pair modules, unequipped	0.047kg	1 piece
	6036 2 004-61	Magazine 2/8 for 8-pair modules equipped with 6717 3 341-00 / 6417 2 010-00 fail-safe	0.075kg	1 piece
	6089 2 024-01	Magazine 2/10, unequipped	0.069kg	1 piece
	6089 2 024-61	Magazine 2/10 equipped with 6717 3 343-01 / 6417 2 010-00 fail-safe	0.095kg	1 piece

**Magazine for LSA-PLUS®, Series 8**

LSA-PLUS overvoltage protection magazine, Series 8, for 2-pole GDTs 8 x 6, and optionally fail-safe (6417 2 010-00).

Preferred use in the line equipment termination point:

2-pair for KRONECTION-Box A-2,
6-pair for KRONECTION-Box A-6,
10-pair for KRONECTION-Box A-10.

Order data:

Order No.	Description	Weight/Pack	Pack
For 2 pairs			
6430 2 001-00	Magazine 8/2, unequipped	0.014kg	1 piece
6430 2 001-01	Magazine 8/2 equipped with GDTs 6717 3 343-00 / fail-safe 6417 2 010-00	0.020kg	1 piece
6430 2 001-02	Magazine 8/2 equipped with GDTs 6717 3 343-00	0.018kg	1 piece
6430 2 001-03	Magazine 8/2 equipped with GDTs 6717 3 343-01	0.018kg	1 piece
For 6 pairs			
6431 2 001-00	Magazine 8/6, unequipped	0.038kg	1 piece
6431 2 001-01	Magazine 8/6 equipped with GDTs 6717 3 343-00 / fail-safe 6417 2 010-00	0.056kg	1 piece
6431 2 001-02	Magazine 8/6 equipped with GDTs 6717 3 343-00	0.050kg	1 piece
6431 2 001-03	Magazine 8/6 equipped with GDTs 6717 3 343-01	0.050kg	1 piece
For 10 pairs			
6432 2 001-00	Magazine 8/10, unequipped	0.055kg	1 piece
6432 2 001-01	Magazine 8/10 equipped with GDTs 6717 3 343-00 / fail-safe 6417 2 010-00	0.091kg	1 piece
6432 2 001-02	Magazine 8/10 equipped with GDTs 6717 3 343-00	0.081kg	1 piece
6432 2 001-03	Magazine 8/10 equipped with GDTs 6717 3 343-01	0.081kg	1 piece





Overvoltage Protection Magazines

Magazines for MultiCom-PLUS®

Overvoltage protection magazine for MultiCom-PLUS, 8-pair version.

Equipped with 2-pole GDTs 8 x 6 (6717 3 343-01) and fail-safe (6957 3 003-00). The magazine is installed in the rear part of the MultiCom-PLUS distributor. This ensures unrestricted access to the termination modules from the front.



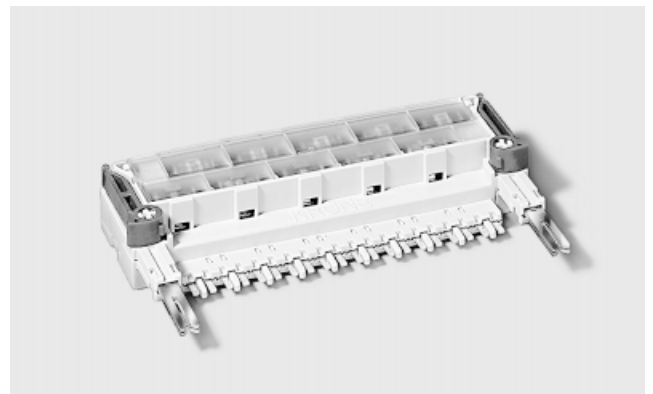
Order data:	Order No.	Description	Weight/Pack	Pack
	6957 1 008-00	Magazine MCP A8 AT180A1	0.600kg	8 pieces

Magazines for LSA-PLUS® NT

Overvoltage protection magazine for LSA-PLUS NT, 8-pair and 10-pair version.

Equipped with 3-pole GDTs and fail-safe (6717 3 513-00). The magazine is installed at the front of the NT module.

Mounted height: approx. 29.5mm from the LSA-PLUS NT module.



Order data:	Order No.	Description	Weight/Pack	Pack
	7019 1 003-00	NT A10 180 B1-01 Overvoltage protection magazine for LSA-PLUS NT, 10 pairs	0.620kg	10 pieces
	7019 1 006-00	NT A8 180 B1-01 Overvoltage protection magazine for LSA-PLUS NT, 8 pairs	0.496kg	10 pieces